

Cooker hob Power Glass



Gas hobs

Code: 7044 632



DETAILS

Type Gas Hob

Edge/Installation Type Standard (8 mm Edge)

Material Tempered glass

Coloring Black

Heating element Five burners

Base size 90cm

Width 90 cm

Dimensions 900 x 510 mm

Built-in hole 840 x 480 mm

Supply 220-240 V; 50/60 Hz

Total power 10.950 W

Auxiliary 1.000 W

Semirapid 1.750 W + 1.400 W (reduced)

Rapid 2.800 W

Double crown 4.000 W

Grids Cast iron grids and enamelled burner covers

Ignition Electric ignition under knob

Safety Safety valve with quick-acting thermocouple

Gas type Tested for installation with natural gas, LPG nozzle set included.

FEATURES

Cast iron grids Cast-iron is the ideal material for an hob grid, this due to the manifold properties characterising it: high heat capacity that improves cooking performance; high weight and stability that improve safety; sturdiness that preserves the hob's original aspect over time; easy cleaning.

Safe cooking All Foster cooker hobs are equipped with safety valves. They shut off the gas supply very quickly if the flame accidentally goes out.

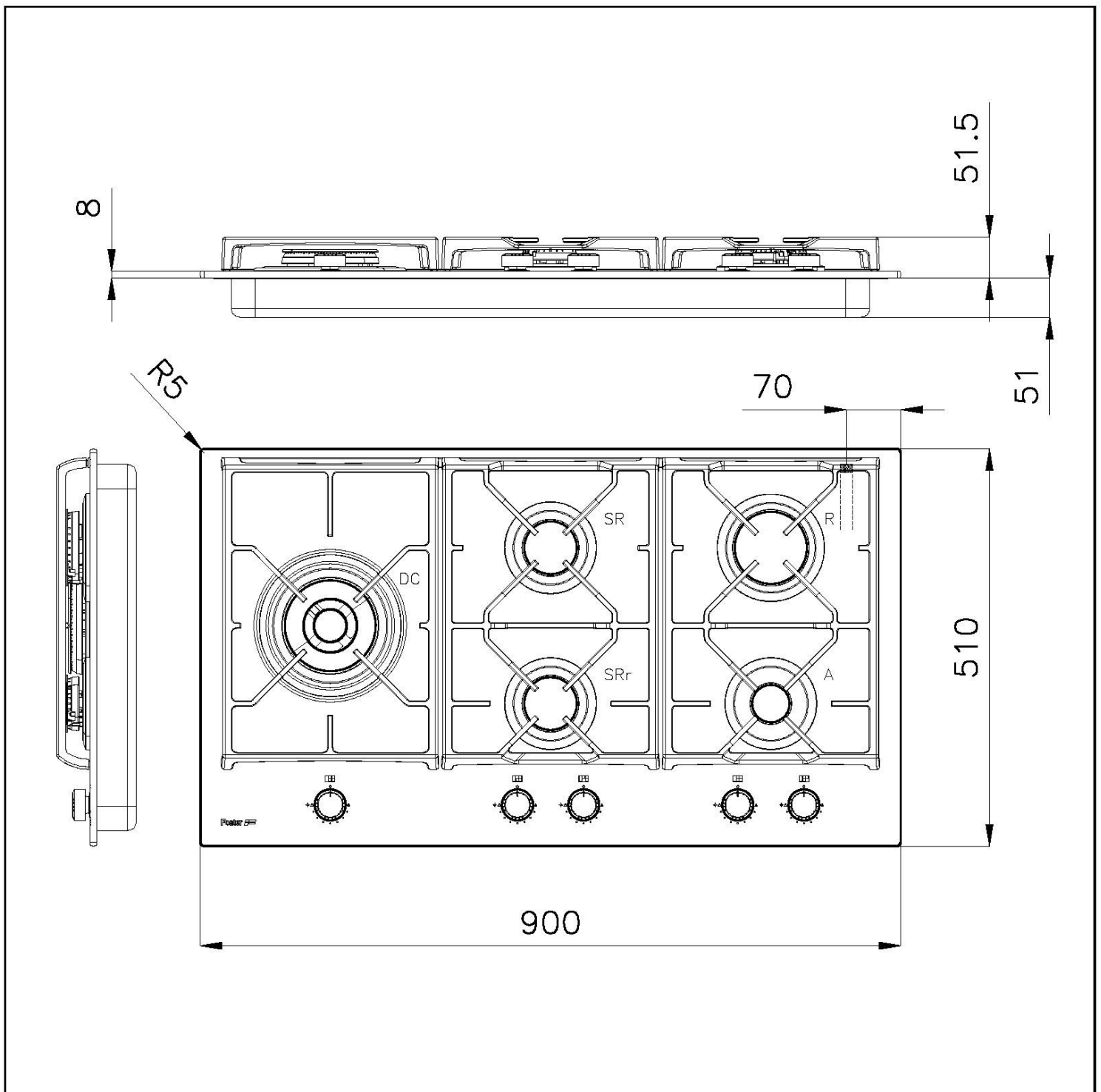
Special burners

Many Foster hobs are equipped with special burners, with two or three rings of fire that greatly increase the power delivered and the heated surface. In the DUAL models the two fire crowns also have independent ignition, making these burners perfect for both intensive and delicate cooking.

Under-knob ignition

The utmost freedom of movement with electronic under-knob ignition, a common feature of all models that allows a one-hand ignition of the burner.

TECHNICAL DATA



GALLERY

